

Revision Notes:

R1 -

APA:

Drawn:

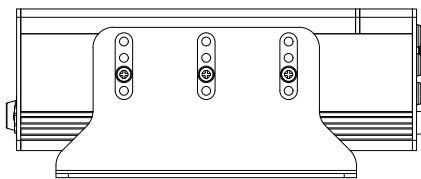
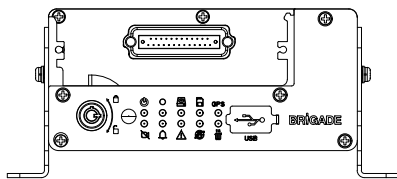
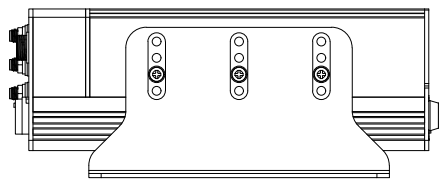
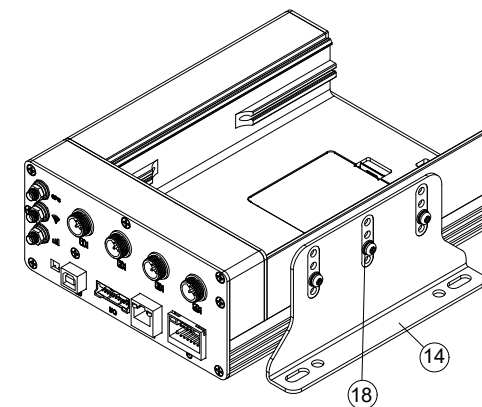
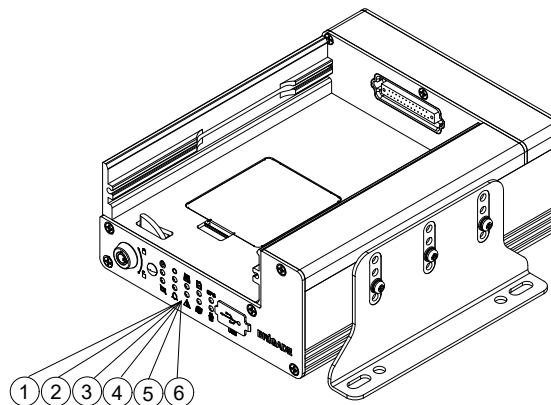
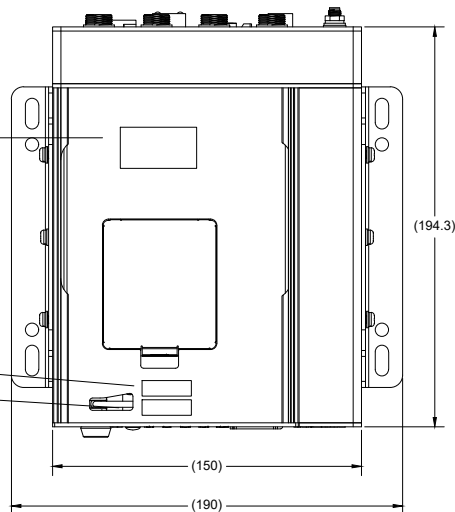
Checked:

Approved:

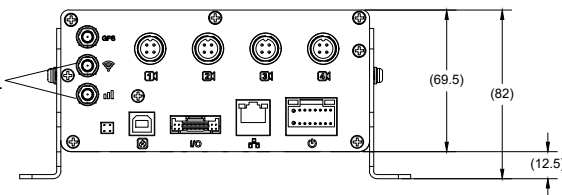
Date:

PRODUCT NUMBER LABEL LOCATION

SERIAL NUMBER LABEL LOCATION  
IMEI NUMBER LABEL LOCATION  
(APPLICABLE FOR MDR MODELS CONTAIN  
3G/4G MODULES)



SEE NOTE 3.



- NOTES:
1. REFERENCE INSTRUCTION MANUAL FOR FUNCTIONALITY.
  2. ANY CUSTOMER MODIFICATION OF THIS PRODUCT CAUSING SUBSEQUENT FAILURE IS NOT A LIABILITY OF BRIGADE ELECTRONICS GROUP PLC.
  3. MOBILE NETWORK AND WI-FI CAPABILITIES DEPEND ON MODEL AND AVAILABILITY.
  4. FIXING SCREWS SUPPLIED IN CLEAR PLASTIC BAG.
  5. VARIOUS SYSTEM OPTIONS A, B, C, D, E OR F CONTAIN RELEVANT COMPONENTS.
  6. REFER TO COMPONENT DRAWINGS FOR DETAILED COMPONENT INFORMATION.
  7. FOR ALL LABELS AND PACKAGING REFER TO MASTER BOM.
  8. PART DESCRIPTIONS CONTAINING "" ARE FOUND WITHIN THE CONTROL UNIT. REFER TO MASTER BOM FOR DETAILS.

**PROPRIETARY NOTICE**  
THIS DESIGN AND TECHNICAL INFORMATION APPEARING ON THIS DRAWING IS THE PROPERTY OF BRIGADE ELECTRONICS, AND IS DISCLOSED IN CONFIDENCE. IT IS NOT TO BE COPIED, REPRODUCED, REVEALED TO OR EXPROPRIATED BY OTHERS, EITHER IN WHOLE OR IN PART WITHOUT THE EXPRESS WRITTEN CONSENT OF BRIGADE ELECTRONICS.



Assembly Pl Approval P. BU		Approved by S. LAVER		Checked by S. ZHANG		Drawn by F. ADEMUJIMI	
Sheet No 1 of 3	Angle of Projection 	Units mm	Scale N/A	Released 02/12/20	Assembly Ref N/A		
		Status RELEASED	MDR-504XX-XX-DS-E01				
		Part No VARIOUS	BE-004484-00-20				

Revision Notes:				
R1 -				
APA:	Drawn:	Checked:	Approved:	Date:

ITEM	PART NUMBER	QTY	MODEL NUMBER	DESCRIPTION	MCU VERSION	FIRMWARE VERSION
(A)	5560A	1	MDR-504GW-DS-E01(NA)	MDR-500 4G & WIFI, 4 CAMERA UNIT, WITHOUT MOBILE CADDY - NA	T17071101	T200915.01
(B)	5559A	1	MDR-504G-DS-E01(NA)	MDR-500 4G, 4 CAMERA UNIT, WITHOUT MOBILE CADDY - NA		
(C)	5589A	1	MDR-504-DS-E01	MDR-500, 4 CAMERA UNIT, WITHOUT MOBILE CADDY		
(D)	6373	1	MDR-504GW-G2-DS-E01	MDR-500 4G & WIFI, 4 CAMERA UNIT, WITHOUT MOBILE CADDY (GEN2)		
(E)	6372	1	MDR-504G-G2-DS-E01	MDR-500 4G, 4 CAMERA UNIT, WITHOUT MOBILE CADDY (GEN2)		
(F)	5590A	1	MDR-504W-DS-E01	MDR-500 WIFI, 4 CAMERA UNIT, WITHOUT MOBILE CADDY		

ITEM	①	②	③	④	⑤	⑥
DESCRIPTION	MDR 500 4 CHANNEL DOCKING STATION, 32GB SD CARD*	MDR 500 4 CHANNEL DOCKING STATION WITH 4G & WIFI, 32GB SD CARD (GEN2)*	MDR 500 SERIES 4 CHANNEL DOCKING STATION WITH GPS, WI-FI, G-SENSOR & 32GB SD CARD*	MDR 500 4 CHANNEL DOCKING STATION WITH 4G, 32GB SD CARD (GEN2)*	MDR 500 4 CHANNEL DOCKING STATION WITH 4G & WIFI, 32GB SD CARD - NA*	MDR 500 4 CHANNEL DOCKING STATION WITH 4G, 32GB SD CARD - NA*
MODEL NUMBER	MDR-504-DS	MDR-504GW-DS-G2	MDR-504W-DS	MDR-504G-DS-G2	MDR-504GW-DS(NA)	MDR-504G-DS(NA)
PART NUMBER	5131	6288	5140	6287	5508	5538
MDR-504GW-DS-E01(NA) QTY	-	-	-	-	1	-
MDR-504G-DS-E01(NA) QTY	-	-	-	-	-	1
MDR-504-DS-E01 QTY	1	-	-	-	-	-
MDR-504GW-G2-DS-E01 QTY	-	1	-	-	-	-
MDR-504G-G2-DS-E01 QTY	-	-	-	1	-	-
MDR-504W-DS-E01 QTY	-	-	1	-	-	-

- NOTES:
- REFERENCE INSTRUCTION MANUAL FOR FUNCTIONALITY.
  - ANY CUSTOMER MODIFICATION OF THIS PRODUCT CAUSING SUBSEQUENT FAILURE IS NOT A LIABILITY OF BRIGADE ELECTRONICS GROUP PLC.
  - MOBILE NETWORK AND WI-FI CAPABILITIES DEPEND ON MODEL AND AVAILABILITY.
  - FIXING SCREWS SUPPLIED IN CLEAR PLASTIC BAG.
  - VARIOUS SYSTEM OPTIONS A, B, C, D, E OR F CONTAIN RELEVANT COMPONENTS.
  - REFER TO COMPONENT DRAWINGS FOR DETAILED COMPONENT INFORMATION.
  - FOR ALL LABELS AND PACKAGING REFER TO MASTER BOM.
  - PART DESCRIPTIONS CONTAINING "\*" ARE FOUND WITHIN THE CONTROL UNIT. REFER TO MASTER BOM FOR DETAILS.

**PROPRIETARY NOTICE**  
 THIS DESIGN AND TECHNICAL INFORMATION APPEARING ON THIS DRAWING IS THE PROPERTY OF BRIGADE ELECTRONICS, AND IS DISCLOSED IN CONFIDENCE. IT IS NOT TO BE COPIED, REPRODUCED, REVEALED TO OR EXPROPRIATED BY OTHERS, EITHER IN WHOLE OR IN PART WITHOUT THE EXPRESS WRITTEN CONSENT OF BRIGADE ELECTRONICS.



Assembly Pl Approval P. BU		Approved by S. LAVER	Checked by S. ZHANG	Drawn by F.ADEMUJIMI
Sheet No 2 of 3	 Angle of Projection Third Angle	Units mm	Scale N/A	Released 02/12/20
Status RELEASED		MDR-504XX-XX-DS-E01		
Part No VARIOUS		BE-004484-00-20		

Revision Notes:				
R1 -				
APA:	Drawn:	Checked:	Approved:	Date:

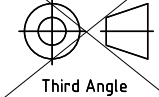
ITEM	⑦	⑧	⑨	⑩	⑪	⑫	⑬
DESCRIPTION	MDR INPUT / OUTPUT CABLE (NOT SHOWN)	MDR POWER CABLE (NOT SHOWN)	MDR SECOND GENERATION GPS ANTENNA (NOT SHOWN)	MDR MOBILE NETWORK ANTENNA (NOT SHOWN)	MDR Wi-Fi ANTENNA (NOT SHOWN)	MDR USB A TO B CABLE (NOT SHOWN)	SECURITY KEY (NOT SHOWN)
MODEL NUMBER	MDR-IO-01	MDR-PWR-01	MDR-ANT-GPS-02	MDR-ANT-MOB-01	MDR-ANT-WIFI-01	MDR-USB-B-02	MDR-KEY-01
PART NUMBER	5142	5141	6118	4989	4990	5195	4891
MDR-504GW-DS-E01(NA) QTY	1	1	1	1	1	1	1
MDR-504G-DS-E01(NA) QTY	1	1	1	1	-	1	1
MDR-504-DS-E01 QTY	1	1	1	-	-	1	1
MDR-504GW-G2-DS-E01 QTY	1	1	1	1	1	1	1
MDR-504G-G2-DS-E01 QTY	1	1	1	1	-	1	1
MDR-504W-DS-E01 QTY	1	1	1	-	1	1	1

ITEM	⑭	⑮	⑯	⑰	⑱	⑲
DESCRIPTION	2 x MDR BRACKETS	MDR MOUSE (NOT SHOWN)	ENGLISH INSTALLATION GUIDE (NOT SHOWN)	INSTALLATION CD (NOT SHOWN)	7 x FIXINGS FOR MDR BRACKETS	VEHICLE WARNING STICKER (NOT SHOWN)
MODEL NUMBER	MDR-BKT-01	MDR-MOUSE-01	MDR-500-IG-EN	MDR-XXX-CD	MDR-BKT-FIX-01	MDR-VWS
PART NUMBER	5138	5250	6326	6325	5197	5252
MDR-504GW-DS-E01(NA) QTY	1	1	1	1	1	1
MDR-504G-DS-E01(NA) QTY	1	1	1	1	1	1
MDR-504-DS-E01 QTY	1	1	1	1	1	1
MDR-504GW-G2-DS-E01 QTY	1	1	1	1	1	1
MDR-504G-G2-DS-E01 QTY	1	1	1	1	1	1
MDR-504W-DS-E01 QTY	1	1	1	1	1	1

- NOTES:
- REFERENCE INSTRUCTION MANUAL FOR FUNCTIONALITY.
  - ANY CUSTOMER MODIFICATION OF THIS PRODUCT CAUSING SUBSEQUENT FAILURE IS NOT A LIABILITY OF BRIGADE ELECTRONICS GROUP PLC.
  - MOBILE NETWORK AND Wi-Fi CAPABILITIES DEPEND ON MODEL AND AVAILABILITY.
  - FIXING SCREWS SUPPLIED IN CLEAR PLASTIC BAG.
  - VARIOUS SYSTEM OPTIONS A, B, C, D, E OR F CONTAIN RELEVANT COMPONENTS.
  - REFER TO COMPONENT DRAWINGS FOR DETAILED COMPONENT INFORMATION.
  - FOR ALL LABELS AND PACKAGING REFER TO MASTER BOM.
  - PART DESCRIPTIONS CONTAINING "" ARE FOUND WITHIN THE CONTROL UNIT. REFER TO MASTER BOM FOR DETAILS.

**PROPRIETARY NOTICE**  
 THIS DESIGN AND TECHNICAL INFORMATION APPEARING ON THIS DRAWING IS THE PROPERTY OF BRIGADE ELECTRONICS, AND IS DISCLOSED IN CONFIDENCE. IT IS NOT TO BE COPIED, REPRODUCED, REVEALED TO OR EXPROPRIATED BY OTHERS, EITHER IN WHOLE OR IN PART WITHOUT THE EXPRESS WRITTEN CONSENT OF BRIGADE ELECTRONICS.

**BRIGADE**

Assembly Pl Approval P. BU		Approved by S. LAVER		Checked by S. ZHANG		Drawn by F. ADEMUJIMI	
Sheet No 3 of 3		Angle of Projection 		Units mm	Scale N/A	Released 02/12/20	Assembly Ref N/A
		Status RELEASED		MDR-504XX-XX-DS-E01			
		Part No VARIOUS		BE-004484-00-20			